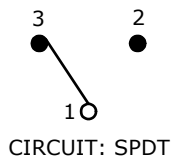
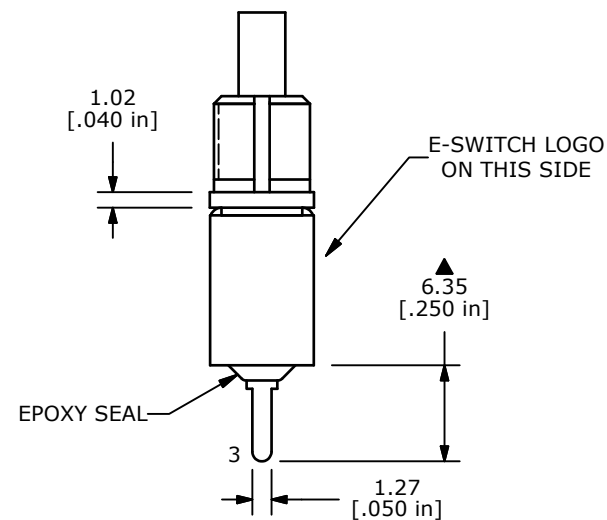
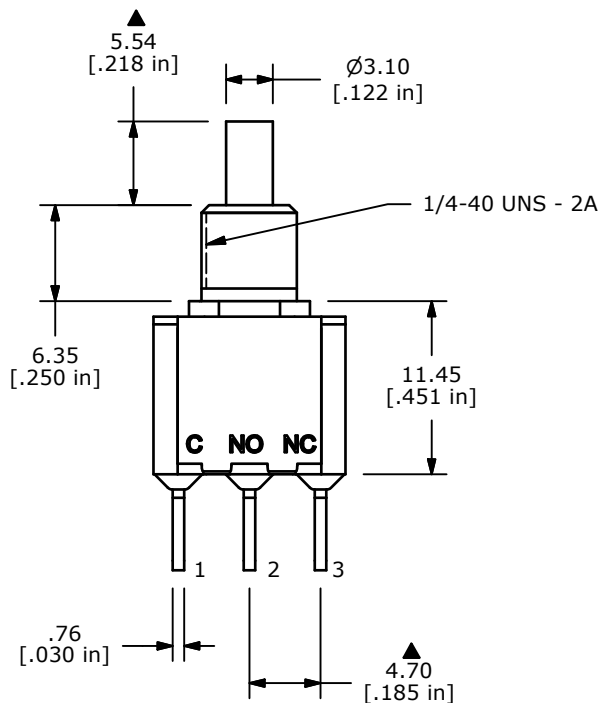


SWITCH FUNCTION	
POS. 1	POS. 2
ON	(ON)
1-3	1-2

(ON)=MOMENTARY



- NOTE:
1. ALL DIMENSIONS IN MM [INCH]
 2. GENERAL TOLERANCE: X.X=±0.4
X.XX=±0.25
 3. TERMINAL NUMBERS FOR REF ONLY
 - ▲ 4. CONTACT MATERIAL: GOLD OVER SILVER
 5. RATING: 1A @ 250 VAC; 3A @ 120 VAC MAX.
 6. ELECTRIC LIFE: 50,000 MAKE-AND-BREAK CYCLES AT FULL LOAD
 7. INSULATION RESISTANCE: 1,000 MEGA-OHM MIN.
 8. ACUATION FORCE: 300 ± 100gf
 - ▲ 9. TRAVEL: 1.0 ± 0.2mm
 - ▲ 10. CONTACT RESISTANCE: 20 mOHM MAX. TYPICAL @ 2-4 VDC
 11. DIELECTRIC STRENGTH: 1,000 V RMS @ SEA LEVEL.
 12. OPERATING TEMP.: -30°C to 85°C
 13. ▲ DENOTES CRITICAL PARAMETER.
 14. 2002/95/EC (ROHS) COMPLIANT.



E	19968	REVISED AND REDRAWN	5/27/11	BGL
REV	PCR NO	DESCRIPTION	DATE	BY

TITLE 700SP7B10M2CE				
SCALE 2:1	DATE 5/27/2011	DR BGL	DWG T711053	REV E

THE INFORMATION CONTAINED IN THIS DOCUMENT IS PROPRIETARY TO E-SWITCH AND IS NOT TO BE COPIED OR TRANSFERRED